



# Kingston Pergola

Model# 11300

Assembly Instructions

<u>Part #</u>	<u>Description</u>	<u>Box#</u>	<u>Qty</u>
1	4" sq. x 93" Post	1	4
2	1½ x 5½ x 106" Bottom Support Rail	2	2
3	1½ x 5½ x 106" Upper Support Rail	2	5
4	¾ x 1½ x 106" Top Cross Rail	2	7
5	1½" Upper Support Bracket	3	6
6	4" sq. New England Post Cap	3	4
7	6⅞" Top End Cap	3	14
8	30" Steel Ground Anchor (U-shaped)	1	4
9	Hardware Bag (includes:)	3	1
	¾ x 1½" End Cap		14
	2" Painted Screw		24
	1¼" Painted Screw		35
	¾" Painted Screw		24
	#8 - 1" Painted Self Tapping Screw		8
	Super Glue Tube		2

## General Information

PLEASE READ THROUGH BEFORE BEGINNING ASSEMBLY.

IMPORTANT: Check boxes for Contents Listed

Check inside of parts as some parts are packaged  
inside of others

In the event of missing, damaged or defective parts  
please call our customer service dept. at 1-877-258-6020

When assembling components, place on a clean, flat  
non-abrasive surface to avoid scratches

## Tools Required

- ... Battery or Electric Drill with #2 phillips bit
- ... Tape Measure
- ... Hammer or Rubber Mallet (recommended)
- ... Shovel or Post Hole Digger (recommended)

# Warranty Statement

## 20 Year Guarantee

**Please call manufacturer direct with questions concerning missing or defective parts at Toll Free: 877-258-6020.**

Dura-trel, Inc. products are warranted to be free from manufacturing defects resulting in delaminating, peeling, flaking, corroding, cracking, crazing, or extreme amounts of fading or bleaching causing the PVC to change to its natural color for a period of 20 years from the date of purchase.

*Normal weathering is defined as exposure to sunlight and extremes of weather and atmosphere which will cause any colored surface to gradually fade.*

### **CONDITIONS NOT COVERED BY THIS WARRANTY:**

- A. Physical abuse, misuse, neglect, or improper storage.
- B. Improper installation or installation not in strict adherence to the instructions written by Dura-Trel, Inc.
- C. This warranty does not apply if materials are painted, varnished, or coated with any substance.
- D. Dura-Trel, Inc. is not responsible for damages to product during shipping.
- E. Damage attributable to atmospheric pollutants, hail, lightning, hurricane, tornado, wind borne objects, earthquake, fire, mildew, casualty, act of God, building or ground settlement, or subjection to stress or weight.

### **CLAIMS AND REMEDIES:**

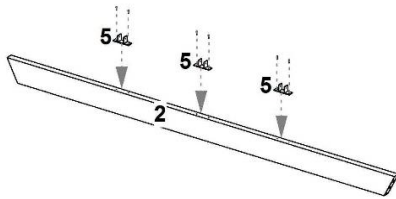
If a Dura-Trel, Inc. product is determined to have a manufacturing defect which is covered by this warranty, Dura-Trel, Inc. will replace the material containing the defect (labor not included) F.O.B from the point of manufacture. Dura-trel, Inc. will not be responsible for any cost incurred in the removal or reinstallation of the product.

**Important:** An claims must be sent to the following address and should describe the defect claim.

**Dura-Trel, Inc., P.O. Box 122, Sheboygan Falls, WI 53085**

Dura-Trel, Inc. reserves the right to discontinue or change its design, and or color. If the original color or style is not available, Dura-Trel, Inc. shall have the right to substitute a product designated by Dura-Trel, Inc.

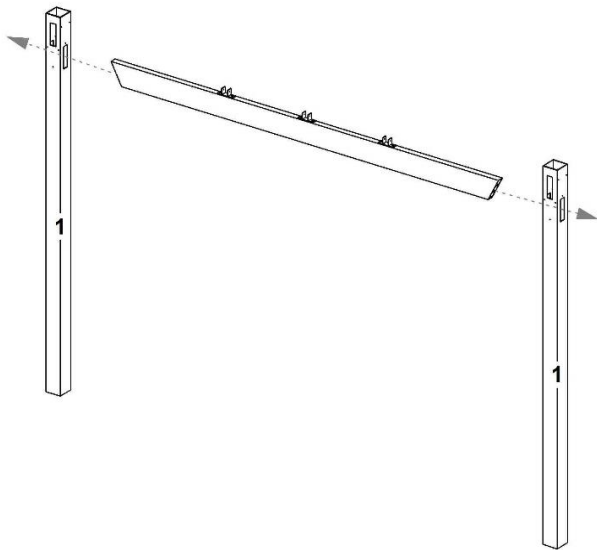
Dura-Trel, Inc. shall not be liable for any incidental, special, or consequential damages arising out of the use of these products



**1**

Lay out one lower support rail (part 2).  
[Lower support has six pilot holes drilled in top edge]

Using  $\frac{3}{4}$ " painted screws, fasten three upper support brackets (part 5) to lower support.

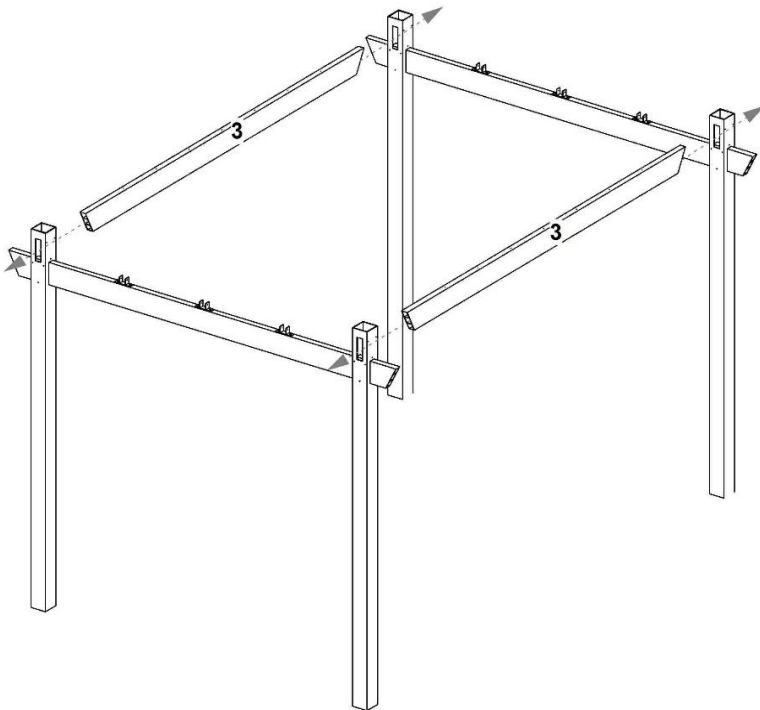


**2**

Insert ends of lower support rail through bottom routed holes of two posts (part 1).

Do not screw together at this time.

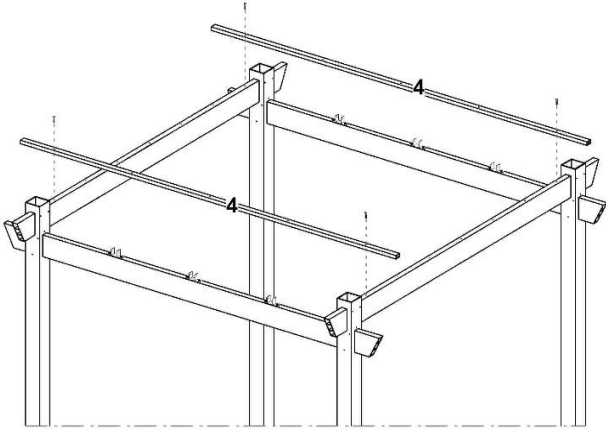
REPEAT steps 1 and 2 using remaining lower support, upper support brackets and posts.



**3**

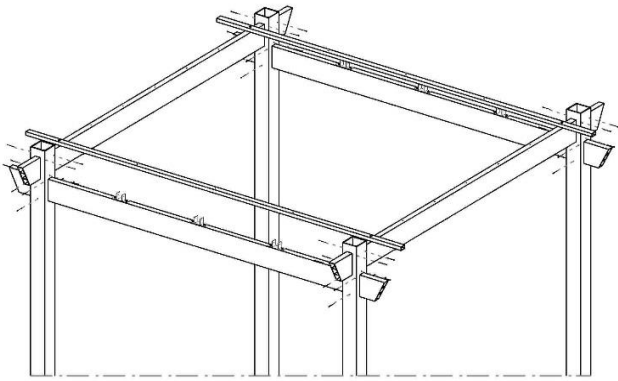
Insert ends of two upper support rails (part 3) through top routed holes of posts.  
[Upper support have seven equally spaced pilot holes drilled in top edge]

Do not screw together at this time.



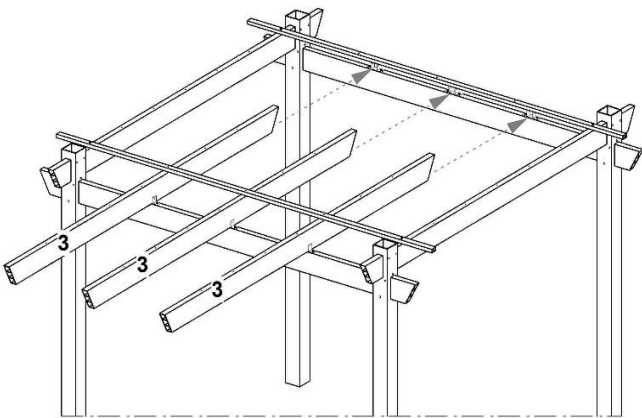
**4**

Lay two top cross rails (part 4) onto upper supports. To set width of pergola, line up outer most holes of top rails with outer most pilot holes of upper supports. Using 1¼" painted screws, fasten top rails to upper supports.



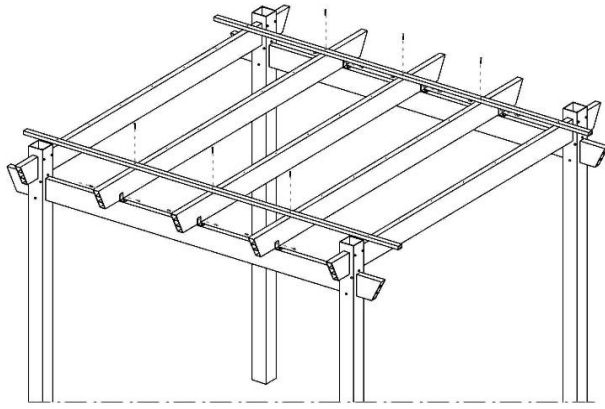
**5**

Using 2" painted screws, screw together all posts and supports.

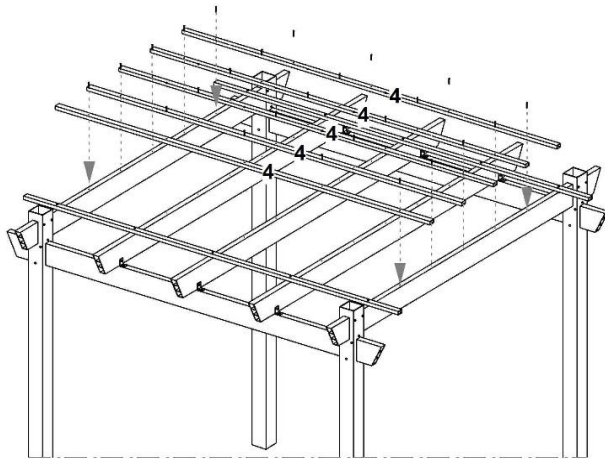


**6**

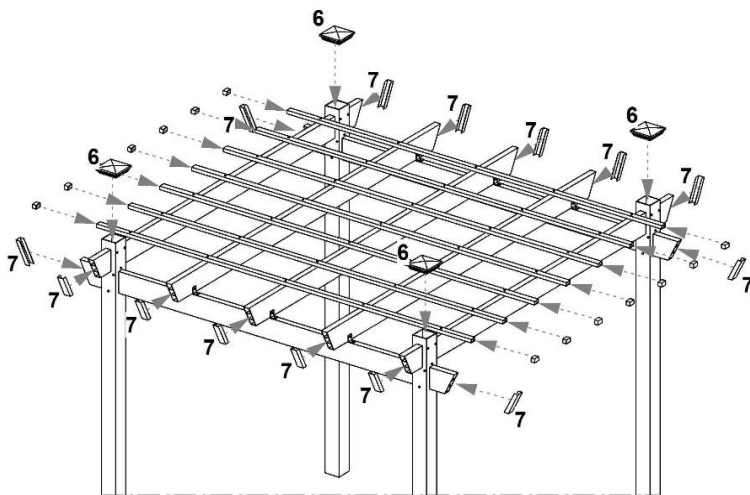
Slide three remaining upper support rails (part 3) through upper support brackets, underneath top rails.



**7** Using 1¼" painted screws, fasten top cross rails to upper supports.  
 [This will center remaining upper supports]



**8** Using 1¼" painted screws, fasten remaining top cross rails (part 4) to upper supports.



**9** Using included Super Glue, glue post caps (part 6) to top of posts. Glue support end caps (part 7) to ends of upper and lower supports. Glue ⅝ x 1½" end caps to ends of top cross rails.

## PERGOLA INSTALLATION

10

### Option 1

Slide one 30" steel ground anchor (part 8) into bottom of each post. Slide ground anchor about 12 inches into post, leaving 18 inches for in-ground. Using 1" painted self-tapping screws fasten post to ground anchor.

Dig holes approximately 18 inches deep. Set pergola in holes and level. Back fill with soil removed from holes. For permanent installation fill with cement.

### Option 2

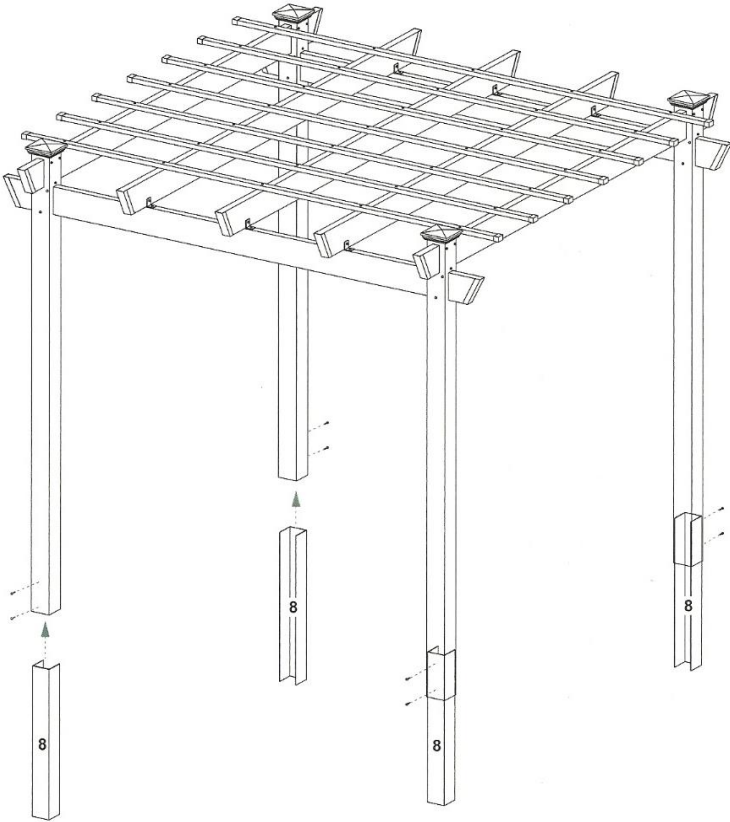
Pound ground anchors into ground according to dimensions. When pounding into ground, use block of wood to prevent ground anchor from bending.

Slide pergola over ground anchors. Using 1" painted self-tapping screws fasten post to ground anchor.

### Option 3

Dig holes 18" deep according to dimensions. Fill with cement and place ground anchors in wet cement. Be sure that ground anchors are straight and in accordance with dimension in figure 1. Allow cement to dry. NOTE: There is very little room for error with this installation method.

Slide pergola over ground anchors. Using 1" painted self-tapping screws fasten post to ground anchor.



11300

1	Kingston Pergola	
1	4" sq. x 93" PER Post	4.00
2	1½ x 5½ x 106" KPER Top Rail	5.00
3	1½ x 5½ x 106" KPER Bot Supp	2.00
4	¾ x 1½ x 106" PER Top Cross	7.00
5	30" Steel Grnd Anch (U-shaped)	4.00
6	Hardware Bag	1.00
	4" sq. New England Cap #1039	4.00
	¾ x 1½" End Cap	14.00
	2" Painted Screw	24.00
	1¼" Painted Screw	35.00
	¾" Painted Screw	24.00
	#8 - 1" Self Tapping White He	8.00
	Super Glue Tube	1.00