

Estate Trellis

Model# 11157 (M) Assembly Instructions



General Information

PLEASE READ THROUGH BEFORE BEGINNING ASSEMBLY.

IMPORTANT: Check boxes for Contents Listed

Check inside of parts as some parts are packaged inside of others

In the event of missing, damaged or defective parts please call our customer service dept. at 1-877-258-6020

When assembling components, place on a clean, flat non-abrasive surface to avoid scratches

Tools Required

- ... Battery or Electric Drill with #2 phillips bit
- ... Tape Measure
- ... PVC, Super, or Crazy Glue

<u>Part #</u>	<u>Description</u>	<u>Qty</u>
1	2" sq. x 84" Left Post	1
2	2" sq. x 84" Right Post	1
3	7/8 x 1 1/2 x 56" Rail	1
4	7/8 x 1 1/2 x 52" Rail	1
5	7/8 x 1 1/2 x 48" Rail	1
6	7/8 x 1 1/2 x 44 1/2" Rail	1
7	7/8 x 1 1/2 x 40 1/2" Rail	1
8	7/8 x 1 1/2 x 37" Rail	1
9	7/8 x 1 1/2 x 33 1/4" Rail	1
10	7/8 x 1 1/2 x 29 1/4" Rail	1
11	7/8 x 1 1/2 x 25 3/4" Rail	1
12	7/8 x 1 1/2 x 22" Rail	1
13	7/8 x 1 1/2 x 18 1/4" Rail	1
14	7/8 x 1 1/2 x 14" Rail	1
15	1 x 1 x 84" Rail	1
16	1 x 1 x 74" Rail	2
17	1 x 1 x 45 1/2" Rail	2
18	1 x 1 x 17 1/2" Rail	2
19	Hardware Bag (includes:)	1
	3/4 x 2 1/2" Spacer Tube	4
	2" sq." Post Cap	2
	1 x 1" Arrowhead Cap	7
	3/4" Painted Screw	6
	#10 - 6" Screw	4
	#10 - Screw Cap	4
	#10 - Screw Backer	4



150 Birch Road
P.O. Box 122
Sheboygan Falls, WI 53085

1-877-258-6020
www.dura-trel.com
sales@dura-trel.com

Warranty Statement

20 Year Guarantee

Please call manufacturer direct with questions concerning missing or defective parts at Toll Free: 877-258-6020.

Dura-trel, Inc. products are warranted to be free from manufacturing defects resulting in delaminating, peeling, flaking, corroding, cracking, crazing, or extreme amounts of fading or bleaching causing the PVC to change to its natural color for a period of 20 years from the date of purchase.

Normal weathering is defined as exposure to sunlight and extremes of weather and atmosphere which will cause any colored surface to gradually fade.

CONDITIONS NOT COVERED BY THIS WARRANTY:

- A. Physical abuse, misuse, neglect, or improper storage.
- B. Improper installation or installation not in strict adherence to the instructions written by Dura-Trel, Inc.
- C. This warranty does not apply if materials are painted, varnished, or coated with any substance.
- D. Dura-Trel, Inc. is not responsible for damages to product during shipping.
- E. Damage attributable to atmospheric pollutants, hail, lightning, hurricane, tornado, wind borne objects, earthquake, fire, mildew, casualty, act of God, building or ground settlement, or subjection to stress or weight.

CLAIMS AND REMEDIES:

If a Dura-Trel, Inc. product is determined to have a manufacturing defect which is covered by this warranty, Dura-Trel, Inc. will replace the material containing the defect (labor not included) F.O.B from the point of manufacture. Dura-trel, Inc. will not be responsible for any cost incurred in the removal or reinstallation of the product.

Important: An claims must be sent to the following address and should describe the defect claim.

Dura-Trel, Inc., P.O. Box 122, Sheboygan Falls, WI 53085

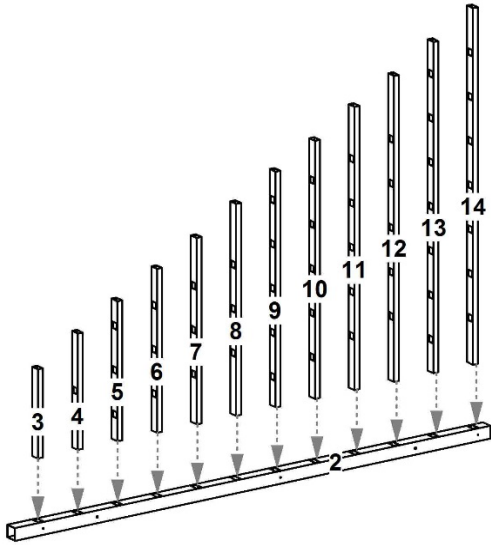
Dura-Trel, Inc. reserves the right to discontinue or change its design, and or color. If the original color or style is not available, Dura-Trel, Inc. shall have the right to substitute a product designated by Dura-Trel, Inc.

Dura-Trel, Inc. shall not be liable for any incidental, special, or consequential damages arising out of the use of these products



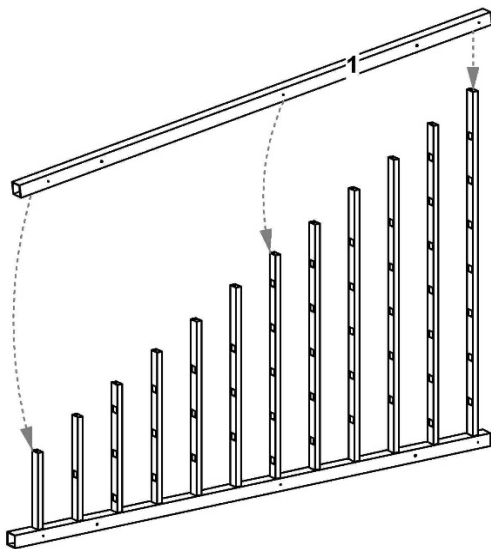
150 Birch Road
P.O. Box 122
Sheboygan Falls, WI 53085

1-877-258-6020
www.dura-trel.com
sales@dura-trel.com



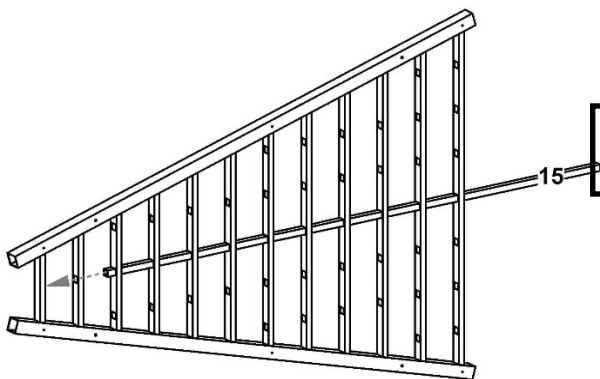
1

Lay out one right post (part 2). Starting at bottom (end with hole 4" from post end), insert cross rails from shortest to longest (part 3-14)



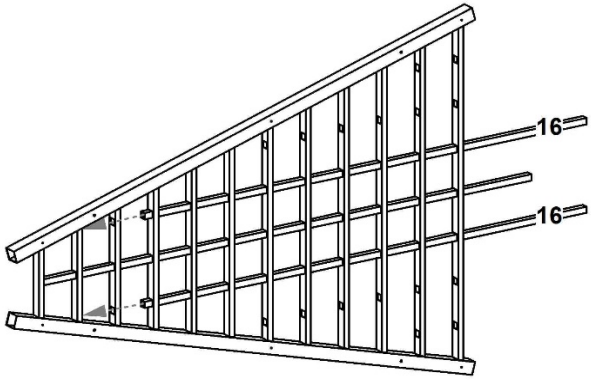
2

Slide left post (part 1) over corresponding support and cross rails.



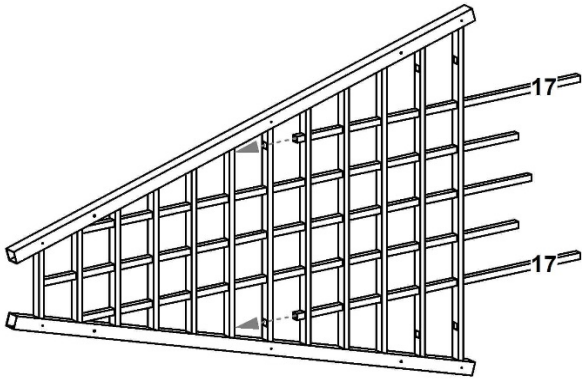
3

Starting with center hole, insert 84" vertical rail (part 15) through cross rails.



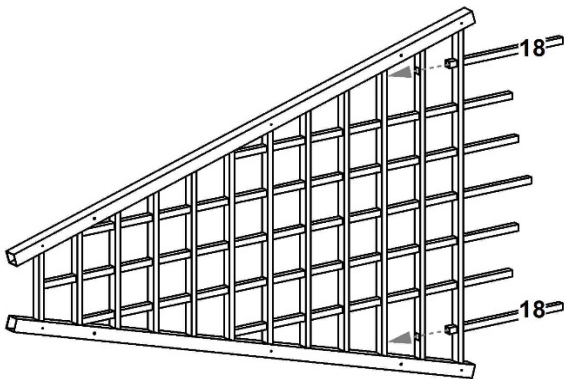
4

Working outward away from center, insert 74" vertical rails (part 16) through cross rails.



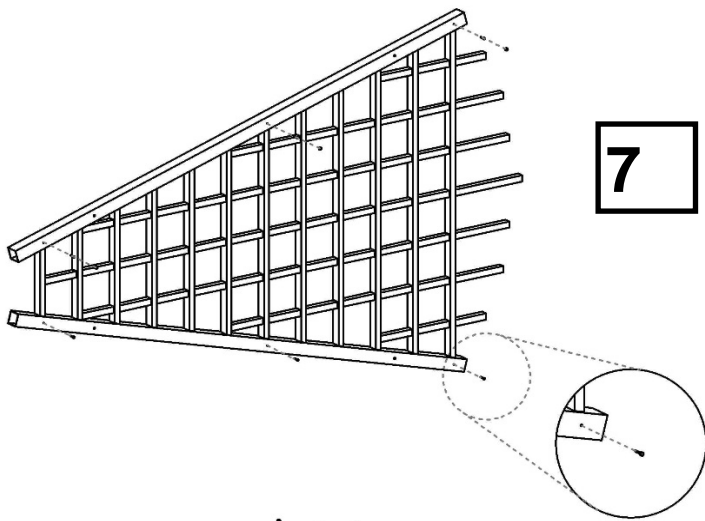
5

Insert 45½" vertical rails (part 17) through cross rails.



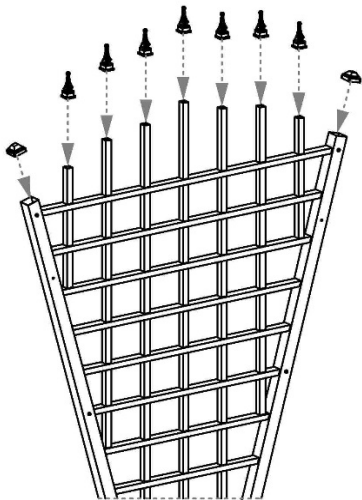
6

Insert 17½" vertical rails (part 18) through cross rails.



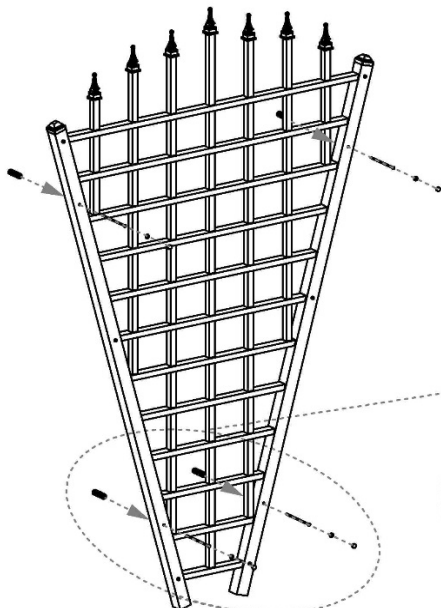
7

Using ¾" painted screws, screw together trellis. Be sure that all parts are fully inserted into posts before securing.



8

Using PVC, super or crazy glue, glue post caps onto posts and arrowhead caps onto vertical rails.



9

To secure to wall, slide 6" screw through clear screw backer. Insert screw through pre-drilled hole in post. To set trellis away from wall, slide screw through spacer tube. After securing, snap screw cap over screw backer.

(NOTE: The wall mounting screws included will not fasten to stone, brick or concrete walls.)

