



Hillcrest Potting Bench

Model# 11201

Assembly Instructions

<u>Part #</u>	<u>Description</u>	<u>Qty</u>
1	4 sq. x 58" Back Left Post	1
2	4 sq. x 58" Back Right Post	1
3	4 sq. x 38" Front Left Post	1
4	4 sq. x 38" Front Right Post	1
5	1½ x 4 x 51½" Table Rail	2
6	1½ x 4 x 51½" Shelf Rail	2
7	1½ x 4 x 22" Side Rail	4
8	1½ x 4 x 10¼" Left Upper Shelf Support	1
9	1½ x 4 x 10¼" Right Upper Shelf Support	1
10	1½ x 5½ x 48" Upper Shelf Back Rail	1
11	1½ x 5½ x 50½" Upper Shelf Rail	1
12	1½ x 5½ x 43" Table Top Rail	4
13	¾ x 1½ x 22" Table Top Brace	2
14	¾ x 3 x 24½" Table/Shelf Rail	14
15	22" Table Top End Cap	2
16	4" sq. Flat Post Cap	4
17	Hardware Bag (includes:)	1
	4" Upper Shelf End Cap	2
	1¼" Painted Screw	16
	¾" Painted Screw	36
	Super Glue Tube	1

General Information

PLEASE READ THROUGH BEFORE BEGINNING ASSEMBLY.

IMPORTANT: Check boxes for Contents Listed

Check inside of parts as some parts are packaged inside of others

In the event of missing, damaged or defective parts please call our customer service dept. at 1-877-258-6020

When assembling components, place on a clean, flat non-abrasive surface to avoid scratches

Tools Required

... Battery or Electric Drill with #2 phillips bit

Warranty Statement

20 Year Guarantee

Please call manufacturer direct with questions concerning missing or defective parts at Toll Free: 877-258-6020.

Dura-trel, Inc. products are warranted to be free from manufacturing defects resulting in delaminating, peeling, flaking, corroding, cracking, crazing, or extreme amounts of fading or bleaching causing the PVC to change to its natural color for a period of 20 years from the date of purchase.

Normal weathering is defined as exposure to sunlight and extremes of weather and atmosphere which will cause any colored surface to gradually fade.

CONDITIONS NOT COVERED BY THIS WARRANTY:

- A. Physical abuse, misuse, neglect, or improper storage.
- B. Improper installation or installation not in strict adherence to the instructions written by Dura-Trel, Inc.
- C. This warranty does not apply if materials are painted, varnished, or coated with any substance.
- D. Dura-Trel, Inc. is not responsible for damages to product during shipping.
- E. Damage attributable to atmospheric pollutants, hail, lightning, hurricane, tornado, wind borne objects, earthquake, fire, mildew, casualty, act of God, building or ground settlement, or subjection to stress or weight.

CLAIMS AND REMEDIES:

If a Dura-Trel, Inc. product is determined to have a manufacturing defect which is covered by this warranty, Dura-Trel, Inc. will replace the material containing the defect (labor not included) F.O.B from the point of manufacture. Dura-trel, Inc. will not be responsible for any cost incurred in the removal or reinstallation of the product.

Important: An claims must be sent to the following address and should describe the defect claim.

Dura-Trel, Inc., P.O. Box 122, Sheboygan Falls, WI 53085

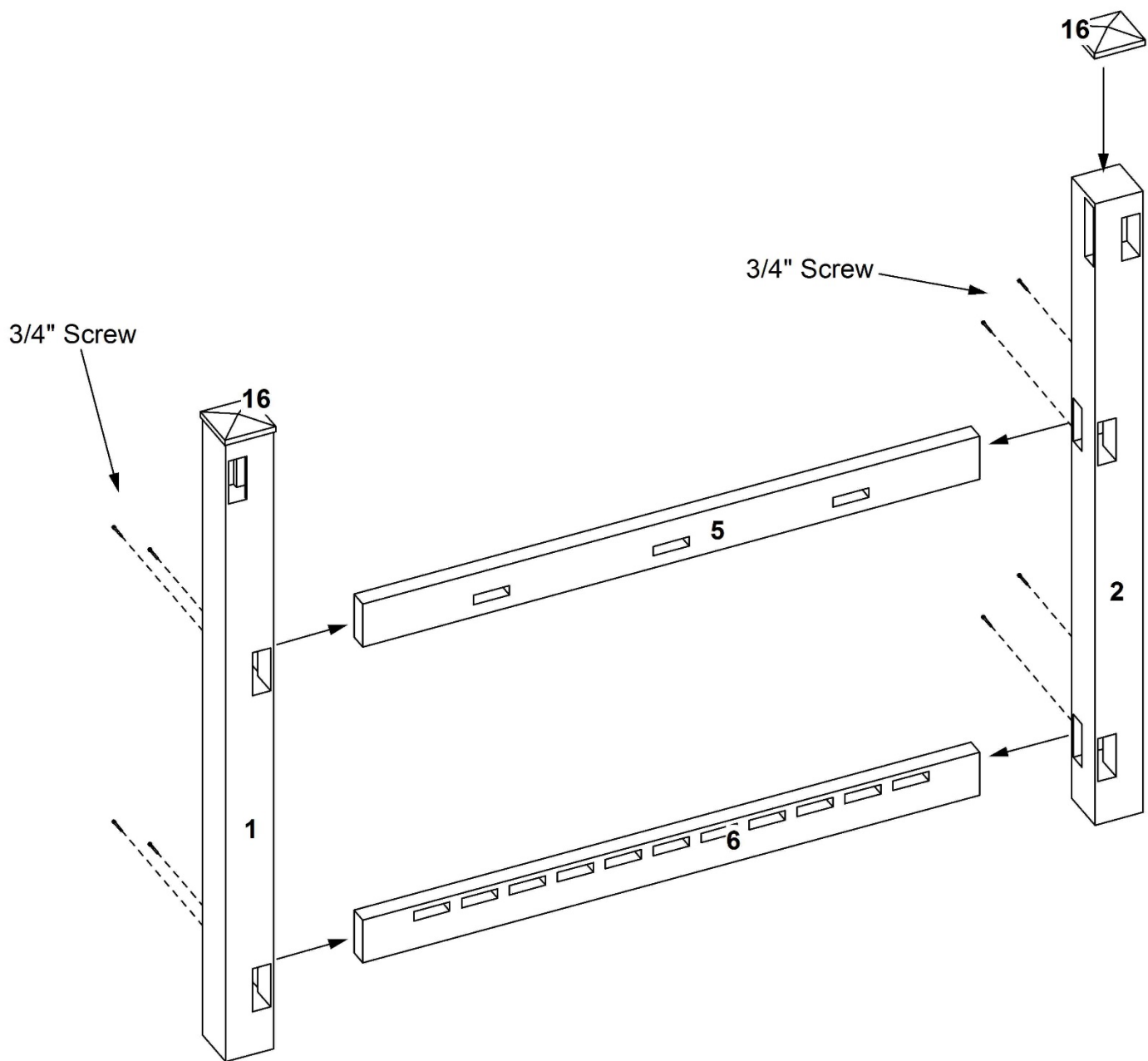
Dura-Trel, Inc. reserves the right to discontinue or change its design, and or color. If the original color or style is not available, Dura-Trel, Inc. shall have the right to substitute a product designated by Dura-Trel, Inc.

Dura-Trel, Inc. shall not be liable for any incidental, special, or consequential damages arising out of the use of these products

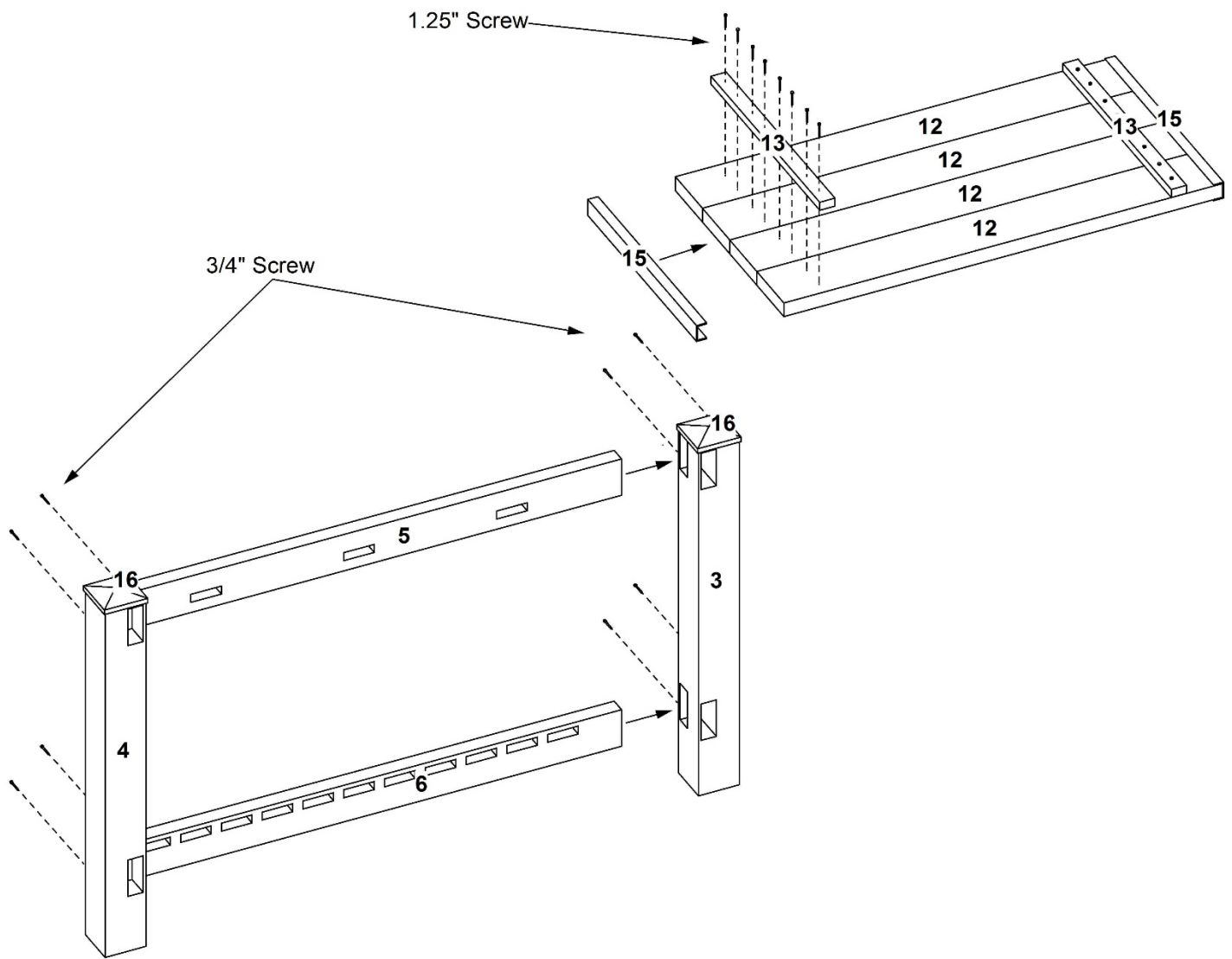


150 Birch Road
P.O. Box 122
Sheboygan Falls, WI 53085

1-877-258-6020
www.dura-trel.com
sales@dura-trel.com

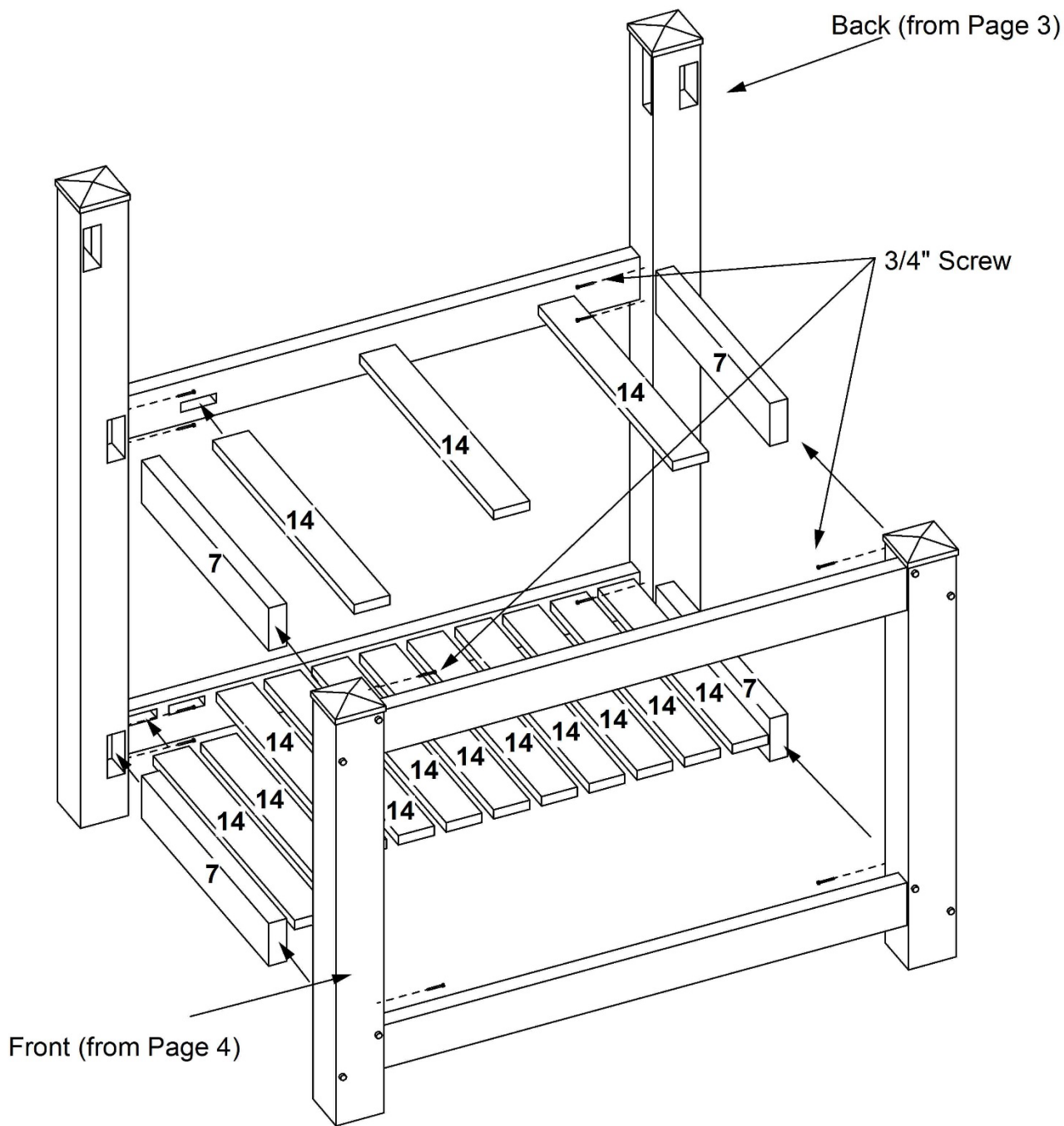


Insert one 51½" table rail (part 5) into 58" back left post (part 1). Insert part into middle hole on side with larger top hole. Insert one 51½" shelf rail (part 6) into 58" back left post. Insert part into bottom hole on side with larger top hole. Insert free ends of table and shelf rail into 58" back right post (part 2). Insert parts into side with larger top hole. Using four ¾" screws per post, screw together potting bench back panel. Be sure all parts are fully inserted into posts before securing. Using included super glue tube, glue 4" sq. flat post cap (part 16) onto top of each post.

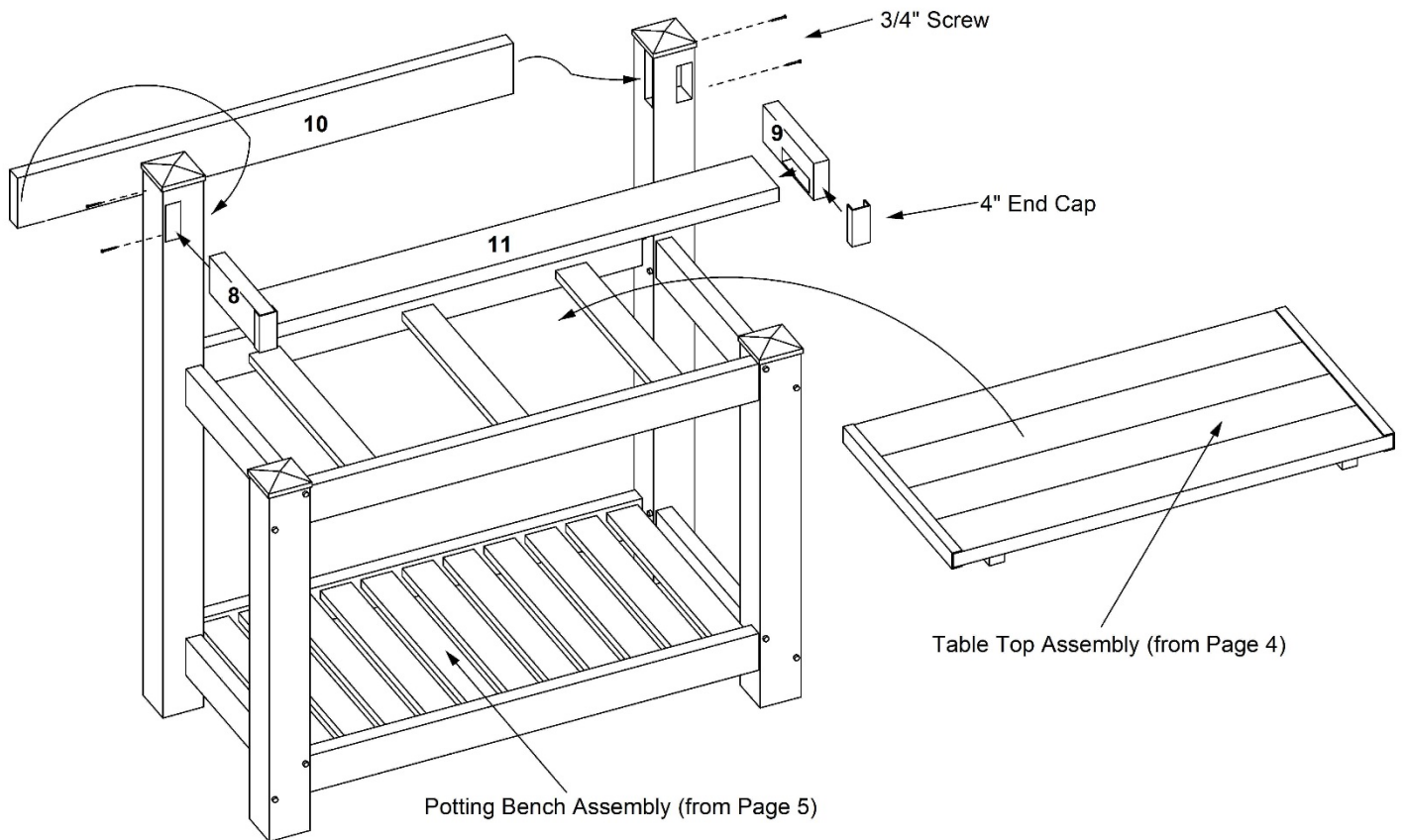


Insert one 51½" table rail (part 5) into 38" front right post (part 4). Insert one 51½" shelf rail (part 6) into 38" front right post. Insert free ends of table and shelf rail into 38" back left post (part 3). Using four ¾" screws per post, screw together potting bench front panel. Be sure all parts are fully inserted into posts before securing. Using included super glue tube, glue 4" sq. flat post cap (part 16) onto top of each post.

Lay out four 43" table top rails (part 12) with pilot holes facing up. Set each 22" table top brace (part 13) over pilot holes of table top rails. Using eight 1¼" screws per table top brace, fasten table top braces to table top rails. Apply glue to inside edges of 22" table top end cap (part 15). Press end cap onto ends of table top (DO NOT slide from end). Take care that end cap is flush with ends of table top and use a file to round off any sharp edges.



Insert four 22" side rails (part 7) into posts of potting bench pack panel (from page 3). Insert three 24½" table/shelf rails into table rail of back panel. Insert eleven table/shelf rails into shelf rail of back panel. Insert free ends of side rails and table/shelf rails into corresponding holes of potting bench front panel (from page 4). Using four ¾" screws per post, fasten together potting bench. Be sure all parts are fully inserted before securing.



Fully insert 48" upper shelf back rail (part 10) into back left post, then insert opposite end into back right post. Insert ends of 50½" upper shelf rail (part 11) into 10¼" left upper shelf support (part 8) and 10¼" right upper shelf support (part 9). Insert upper shelf supports into top holes in posts. Be sure upper shelf back rail is centered in posts to allow upper shelf supports to be fully inserted. Using two ¾" screws per post, fasten upper shelf to posts. Apply glue to inside edges of 4" upper shelf end cap. Press end cap onto ends of upper shelf support rails (DO NOT slide from end).

Set table top assembly in middle of potting bench with braces facing down. The table top is designed to be removable for easy cleaning with a standard garden hose and any type of household cleaner without abrasives.